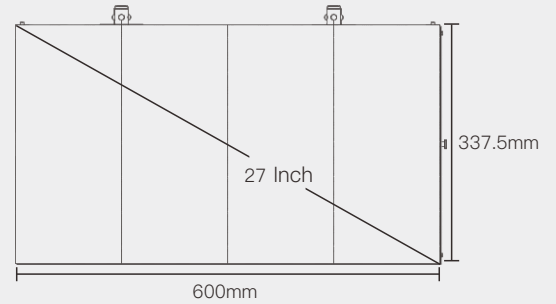


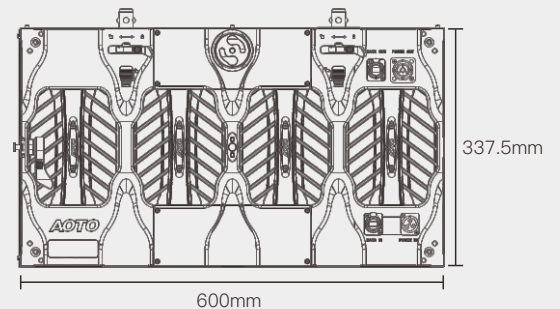
Specifications

Model	CLD27RS1.5(Mini LED)
Pixel Pitch	1.5625 mm
Brightness	Standard 800 nits, Max 1,000 nits
LED Type	Mini 4 in1
Processing Depth	24 bits
Display Size	27 Inch (600 mm × 337.5 mm × 60 mm)
Lifespan	100,000 hours
IP Rating	IP30
Operation Environment	Temperature: -10 °C-40 °C/Humidity: 10% - 80% RH
Pixel Density	409,600 dots/m ²
Pixel Configuration	1R 1G 1B
Module Resolution	96(W) × 216(H) = 20,736 dots
Module Size	W: 150 mm; H: 337.5 mm
Cabinet Resolution	384(W) × 216(H) = 82,944 dots
Cabinet Size	W: 600mm; H: 337.5mm
Cabinet Area	0.2025 m ²
Viewing Angle	H: 170°±5°; V: 170°±5°
Refresh Rate	3840 Hz
Contrast Ratio	8000:1
Input Voltage	AC100 V to AC240 V; 50 or 60 Hz
Maximun Power	135 W/Cabinet
Average Power	40 W/Cabinet
Cabinet Material and Color	Die-casting Aluminium, Black
Maintenance	Front or Rear
Cabinet Weight	8.5 Kg

Positive



Back



Side

